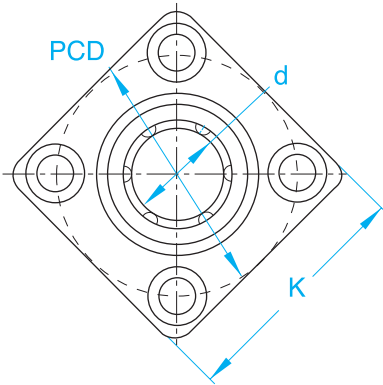
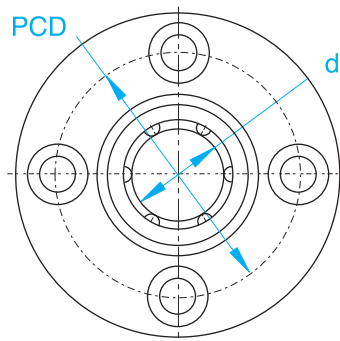


LF-L series

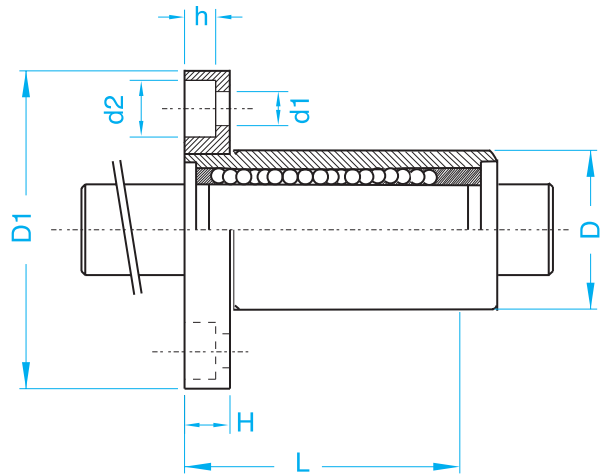
Flange Type



Type : D



Type : N



Unit : mm

Model No.	Basic Dimension													Load (Kgf)		Weight(g)
	d	D	D tolerance (μm)	L	L tolerance (μm)	D1	D1 tolerance (μm)	H	PCD	K	d1	d2	h	Dynamic load rating (Ca)	Static load rating (Coa)	
LF6LUU	6	12	0	35		28		5	20	22	3.4	6.5	3.3	200	206	26.5
LF8LUU	8	15	-13	45		32		5	24	25	3.4	6.5	3.3	260	400	40
LF10LUU	10	19	0	55	0	40	0	6	29	30	4.5	8	4.4	370	540	78
LF12LUU	12	21		57		42		6	32	32	4.5	8	4.4	410	290	76
LF16LUU	16	28	-16	70	-30	48	-20	6	38	37	4.5	8	4.4	770	1170	134
LF20LUU	20	32	0	80		54		8	43	42	5.5	9.5	5.4	860	1370	180
LF25LUU	25	40	-19	112		62		8	51	50	5.5	9.5	5.4	980	1560	340
LF30LUU	30	45		123	74	10	60	58	6.6	11	6.5	1560	2740	460		
LF40LUU	40	60	0	151	0	96	0	13	78	75	9	14	8.6	2150	4010	1054
LF50LUU	50	80	-22	192	-40	116	-30	13	98	92	9	14	8.6	3820	7830	2200

Note : UU with oil seals in ends